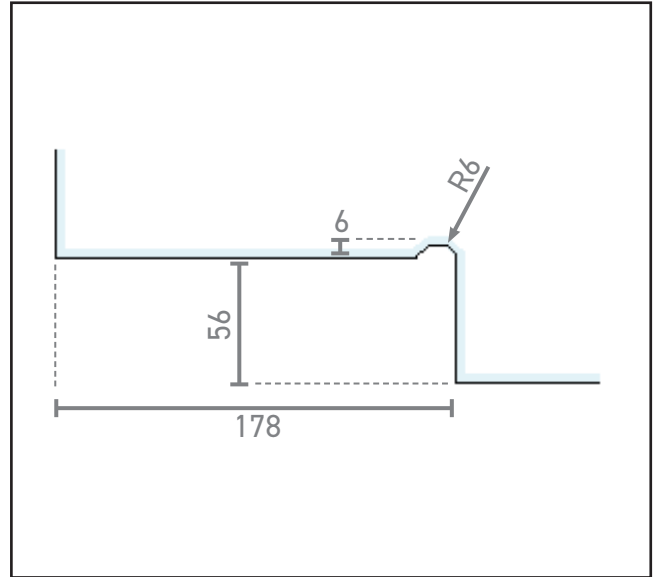


570.5040.01

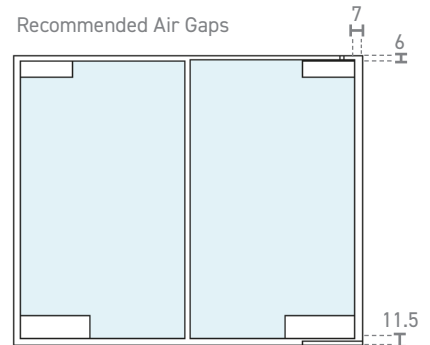
Hydraulic Patch Closer - Bottom - Hold Open



Product Specification

Bottom fitting only, top patch and pivot sold separately

Hold-open function



Specification

| | |
|--------------------------|-----------------------|
| Finish | Satin Stainless Steel |
| Handed | No |
| Glass Thickness | 10-12mm |
| Max Door Height | 2500mm (12mm Glass) |
| Max Door Width | 1000mm |
| Max Door Weight | 100kg |
| Hold Open | Yes |
| Adjustable Closing Speed | Yes |
| EN 1154 | Yes |
| Sold as | Each |
| | |
| | |

For more information please contact

01451 824110 | sales@wellinguk.com | www.wellinguk.com

Welling Ironmongery Ltd, Unit R1, Bourton Industrial Park, Bourton on the Water GL54 2HQ