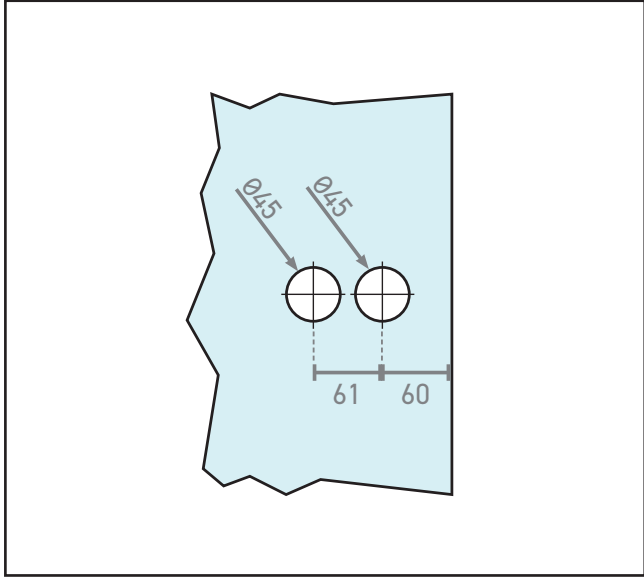
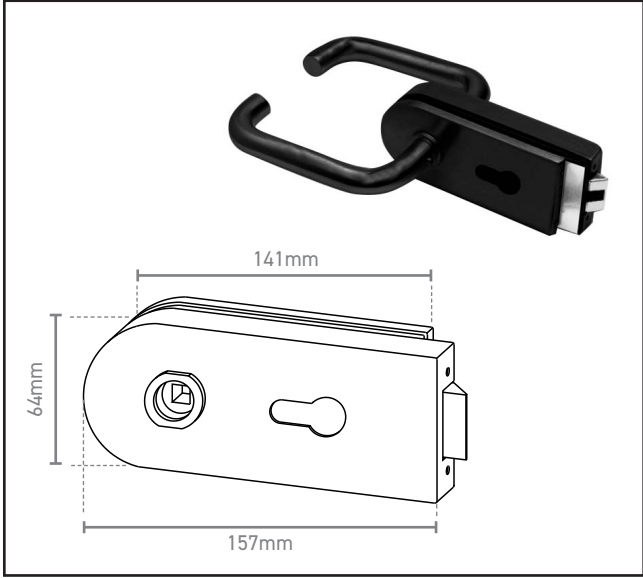


570.0033.39

Horizontal Patch Euro Lock/Latch with 19mm Safety Lever Kit



Product Specification

Identical cutout requirements to the Studio Rondo lockset

Use any of our standard euro cylinders with this lock, at 60mm length

Specification

Finish	Black
Glass Thickness	8-12mm
Levers Included	Yes
Cylinder Included	Yes

For more information please contact

01451 824110 | sales@wellinguk.com | www.wellinguk.com

Welling Ironmongery Ltd, Unit R1, Bourton Industrial Park, Bourton on the Water GL54 2HQ