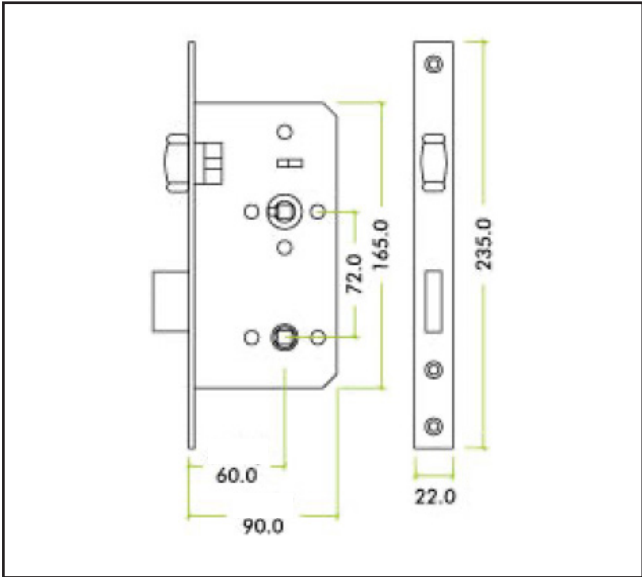
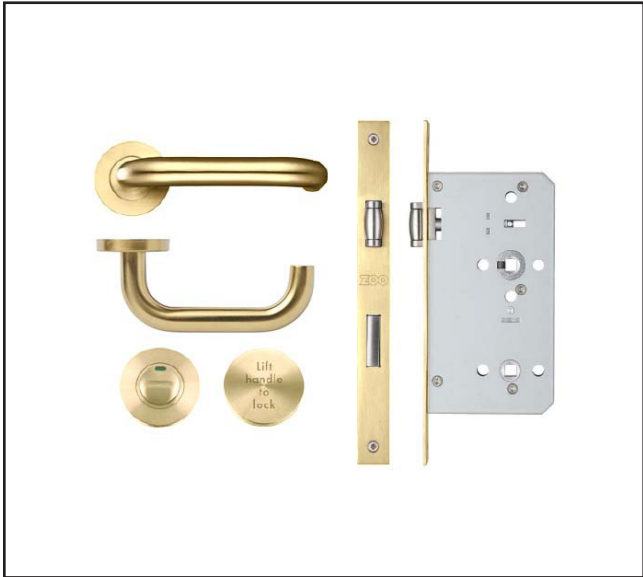


# 840.7740.76

DDA Lift to Lock Toilet Door Locking System



Making Ironmongery Easy



### Product Specification

Ideal for disabled toilets/washrooms, this Lift-to-Lock system is easy to operate for the less-abled

Simply 'lift the handle' to lock, and pull down again to unlock

Easy access externally in case of emergency

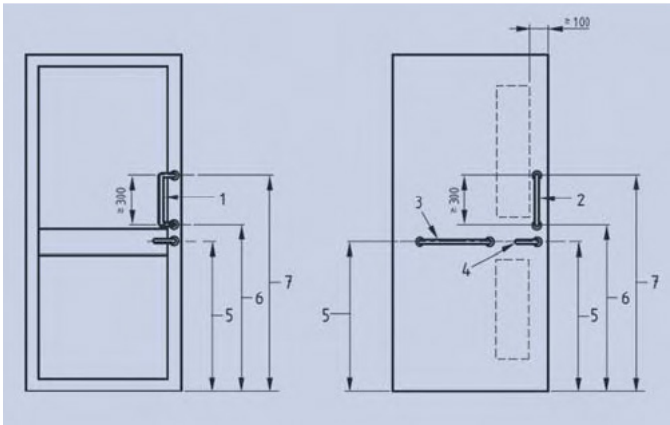
Includes lever handles, mortice lock case, strike plate and blanking plate with 'Lift Handle to Lock' text

Easily releasable from the outside in case of emergency

Non handed for easy ordering

### Specification

Finish	Satin Brass
BS 8300 (DDA) compliant	Yes
Fitting Height for Lever	800-1050mm, with preferred height being 900mm for lever furniture



For more information please contact

01451 824110 | sales@wellinguk.com | www.wellinguk.com

Welling Ironmongery Ltd, Unit R1, Bourton Industrial Park, Bourton on the Water GL54 2HQ