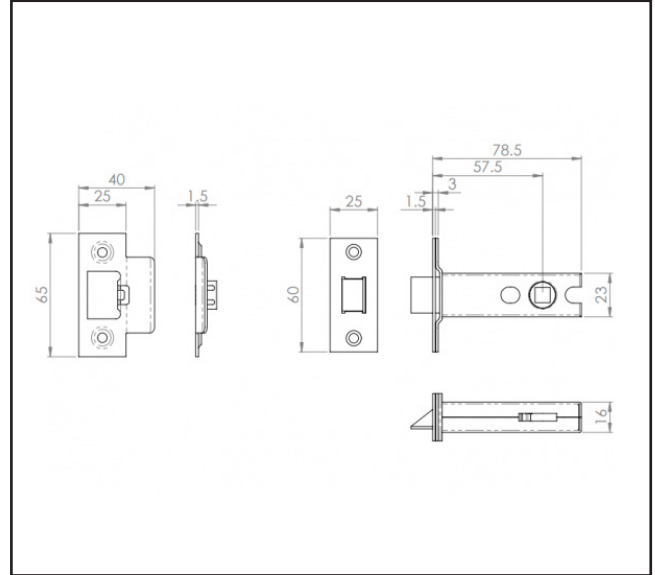


640.4129.01

Easi-T Tubular Mortice Latch - 76mm - Heavy Duty



Product Specification

Easi-T Heavy Duty Mortice Tubular Latch

Specification

Finish	Satin Chrome
Case Depth	76mm
Backset	57mm
Follower Size (For Spindle)	8mm
Spring Type	Heavy
Reversible	Yes
Radius/Square	Square
Dust Box Included	Yes
Strike Included	Yes
Pierced for Bolt Through Fixings	Yes

For more information please contact

01451 824110 | sales@wellinguk.com | www.wellinguk.com

Welling Ironmongery Ltd, Unit R1, Bourton Industrial Park, Bourton on the Water GL54 2HQ