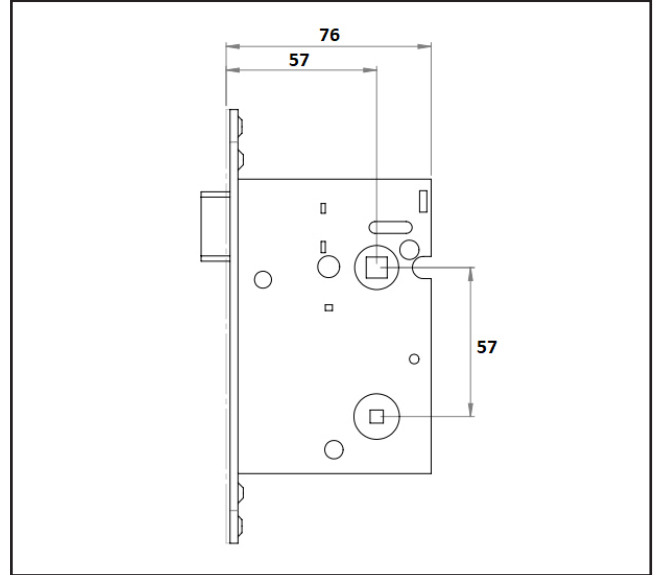
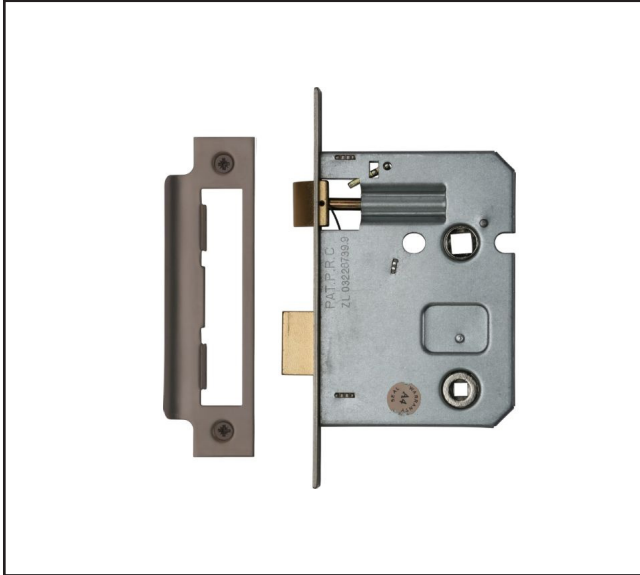


640.3120.26

Bathroom Mortice Sashlock Case - 76mm



Product Specification

Matt bronze forend and strike plate to match our matt bronze levers and accessories

Bolt through fixing holes

5mm spindle hole for WC turn & release

Specification

Finish	Matt Bronze
Case Depth	76mm
Backset	57mm
Follower Size (For Spindle)	5mm (WC Turn)

For more information please contact

01451 824110 | sales@wellinguk.com | www.wellinguk.com

Welling Ironmongery Ltd, Unit R1, Bourton Industrial Park, Bourton on the Water GL54 2HQ