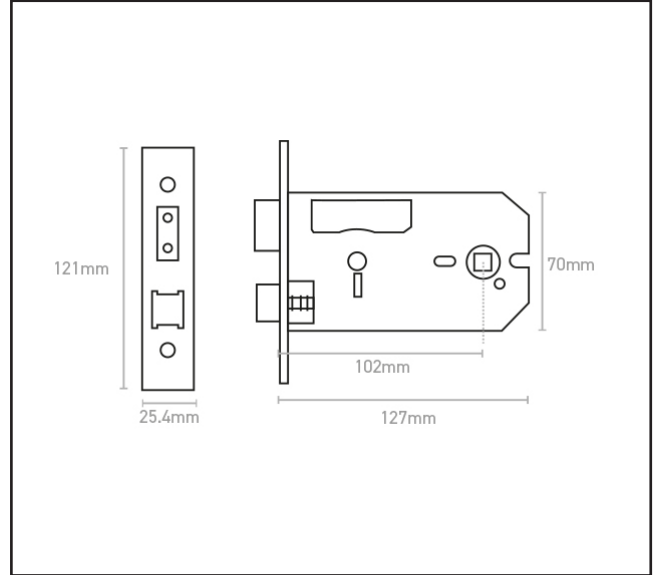


640.1270.01

Horizontal Mortise Bathroom Sashlock Case - 127mm



Product Specification

Ideal for knob furniture

Specification

Finish	Satin Stainless Steel
Backset	102mm (Knob)
Follower Size (For Spindle)	5mm

For more information please contact

01451 824110 | sales@wellinguk.com | www.wellinguk.com

Welling Ironmongery Ltd, Unit R1, Bourton Industrial Park, Bourton on the Water GL54 2HQ