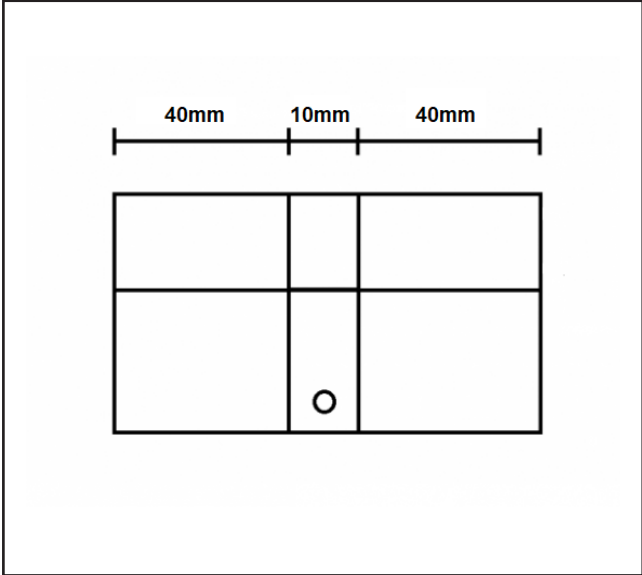


600.5140.05

Euro Profile Double Cylinder - Keyed to Differ - 90mm



Product Specification

Keyed to differ - each cylinder has its unique keys and will not operate other cylinders

Cannot be suited or master-keyed

With 3 Keys as Standard

Specification

Finish	Satin Chrome
Length	90mm Overall (40/10/40)
Thumbturn	No
Pins	5-pin
With Keys	Yes, 3nr
Retaining Bolt Included	Yes

CYLINDER SUITING

KEYED TO DIFFER

Each lock has its own key, so you can't use the same key to open a different lock.

