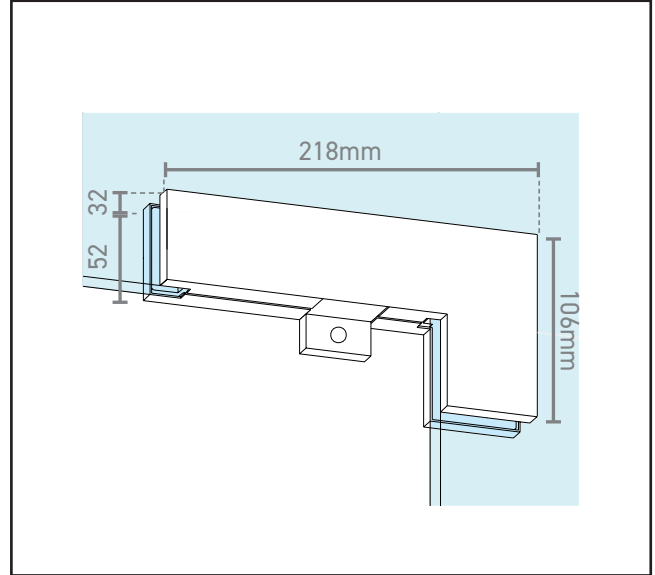
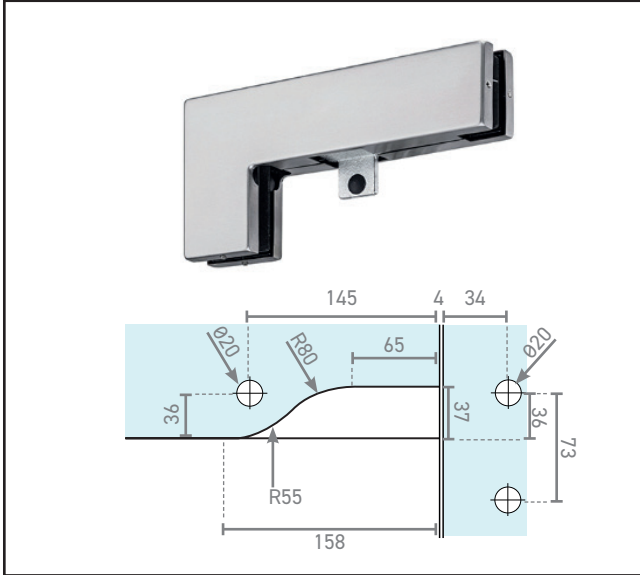


570.9014.01

Corner Patch Fitting with Insert - Stop



Product Specification

PT40 type patch fitting
Door stop version

Specification

Finish	Satin Stainless Steel
Glass Thickness	10-12mm
Stop Included	Yes

For more information please contact

01451 824110 | sales@wellinguk.com | www.wellinguk.com

Welling Ironmongery Ltd, Unit R1, Bourton Industrial Park, Bourton on the Water GL54 2HQ