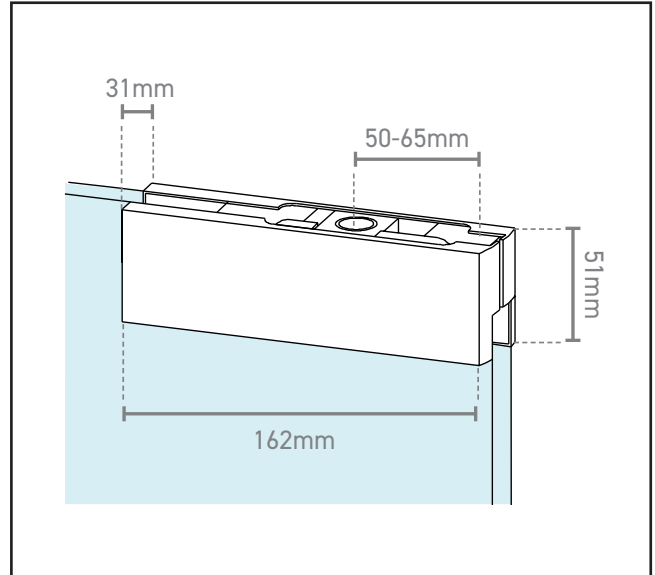
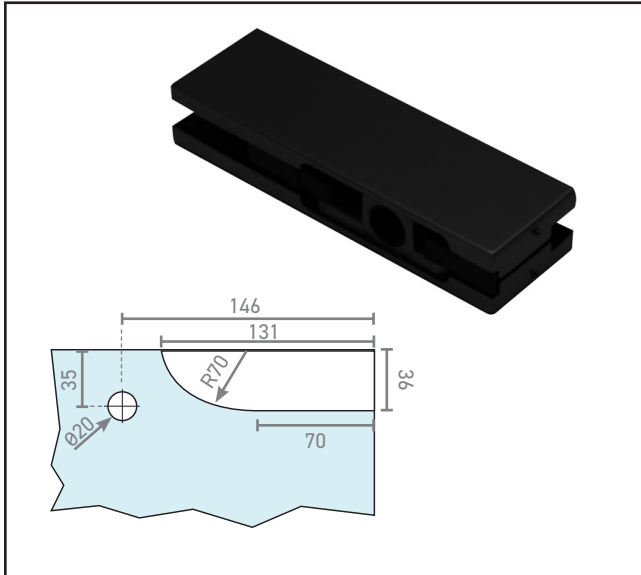


# 570.9004.39

Top Patch Fitting



## Product Specification

PT20 type patch fitting

## Specification

Finish	Black
Glass Thickness	10-12mm

For more information please contact

01451 824110 | sales@wellinguk.com | www.wellinguk.com

Welling Ironmongery Ltd, Unit R1, Bourton Industrial Park, Bourton on the Water GL54 2HQ