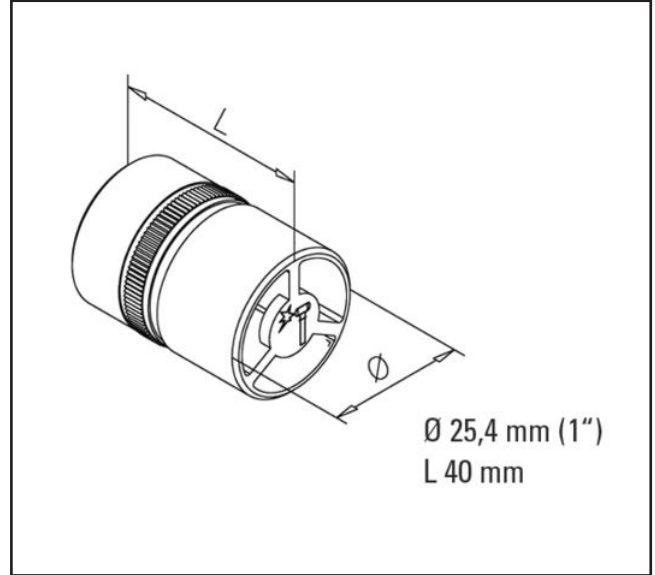


570.8901.01

SG Rail Connector for Tubular Rails



Product Specification

This connector allows you to connect the SG tubular rails 'end-on-end' for applications wider than 2500mm

Specification

Finish	Satin Stainless Steel
Diameter	25.4mm (1 inch)

For more information please contact

01451 824110 | sales@wellinguk.com | www.wellinguk.com

Welling Ironmongery Ltd, Unit R1, Bourton Industrial Park, Bourton on the Water GL54 2HQ