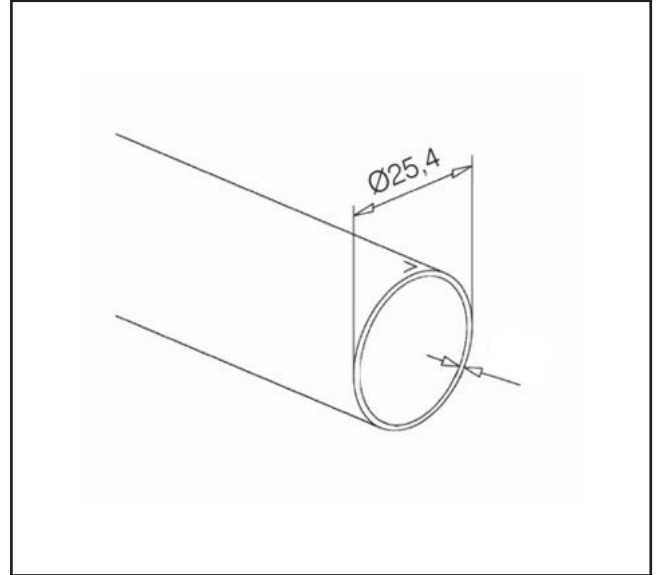


570.8900.01

SG Sliding Rail Tube - 2500mm - 1mm Thick



Product Specification

Specification

Finish	Satin Stainless Steel
Carriage Weight	2500mm
Diameter	25.4mm (1 inch)
Wall Thickness	1mm

For more information please contact

01451 824110 | sales@wellinguk.com | www.wellinguk.com

Welling Ironmongery Ltd, Unit R1, Bourton Industrial Park, Bourton on the Water GL54 2HQ