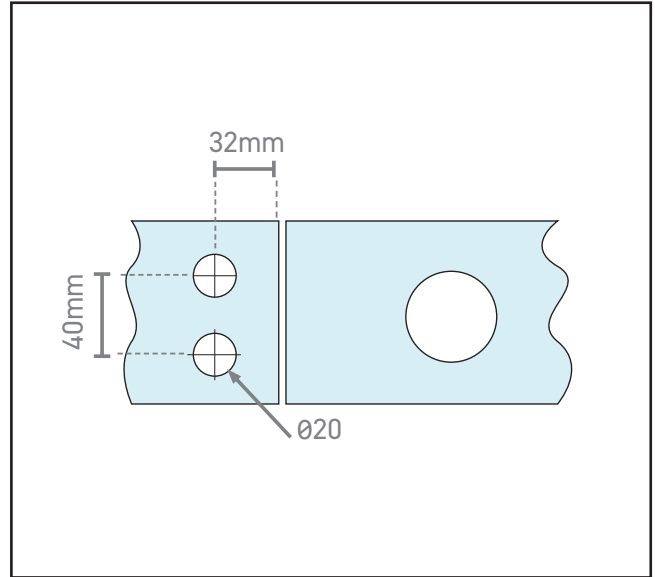
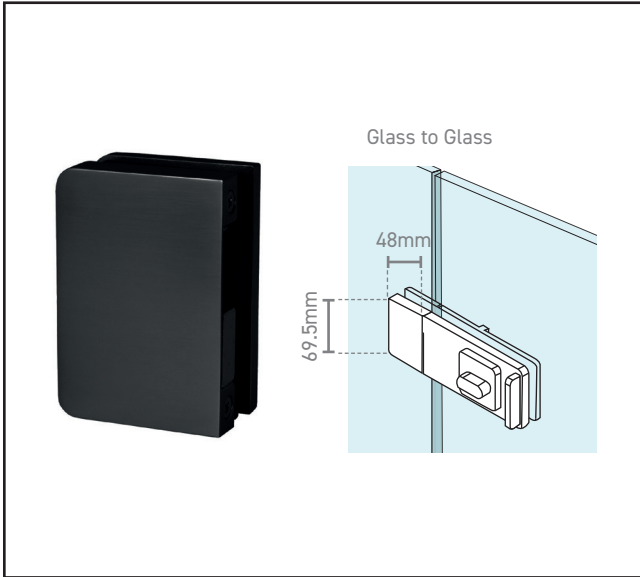


570.8813.39

Sliding Glass Door Lock Strike Box - Glass to Glass



Product Specification

A strike box/keep for the 570.8811.01 sliding door lock

Glass to Glass, suitable for in-line applications for example double glass doors where the leading edges meet

Specification

Finish	Black
Handed	No - reversible
Glass Thickness	10-12mm
Type	Glass to Glass

For more information please contact

01451 824110 | sales@wellinguk.com | www.wellinguk.com

Welling Ironmongery Ltd, Unit R1, Bourton Industrial Park, Bourton on the Water GL54 2HQ