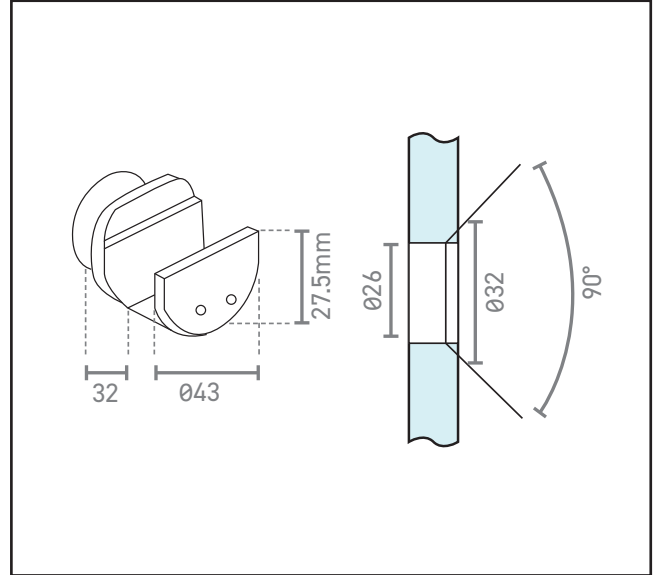


570.6110.01

SG Track Holder - Glass-to-Glass - Countersunk



Product Specification

Track Holder
Glass-to-Glass
Countersunk

Specification

Finish	Satin Stainless Steel
Countersunk Fitting	Yes
Glass Thickness	10-12mm

For more information please contact

01451 824110 | sales@wellinguk.com | www.wellinguk.com

Welling Ironmongery Ltd, Unit R1, Bourton Industrial Park, Bourton on the Water GL54 2HQ