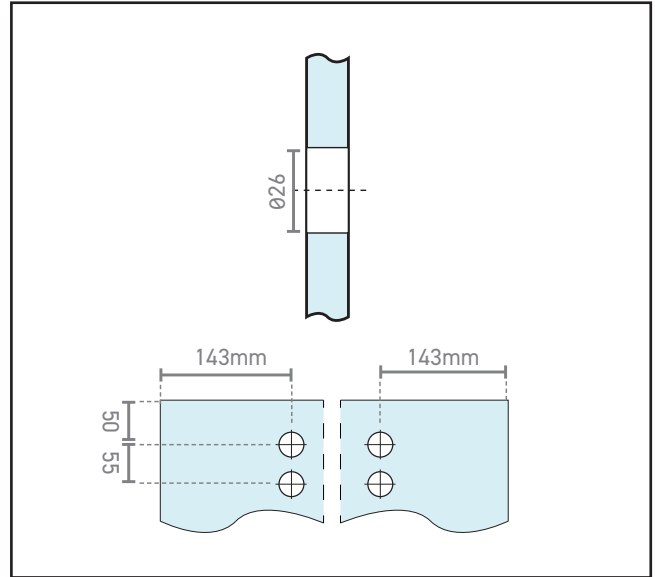


570.6106.01

SG Standard Roller - Non-Countersunk



Product Specification

High quality roller-bearing roller, for our SG glass sliding system

Specification

Finish	Satin Stainless Steel
Countersunk Fitting	No
Glass Thickness	10-12mm
Max Door Width	1200mm (with 2 rollers)
Max Door Weight	100kg (with 2 rollers)

For more information please contact

01451 824110 | sales@wellinguk.com | www.wellinguk.com

Welling Ironmongery Ltd, Unit R1, Bourton Industrial Park, Bourton on the Water GL54 2HQ