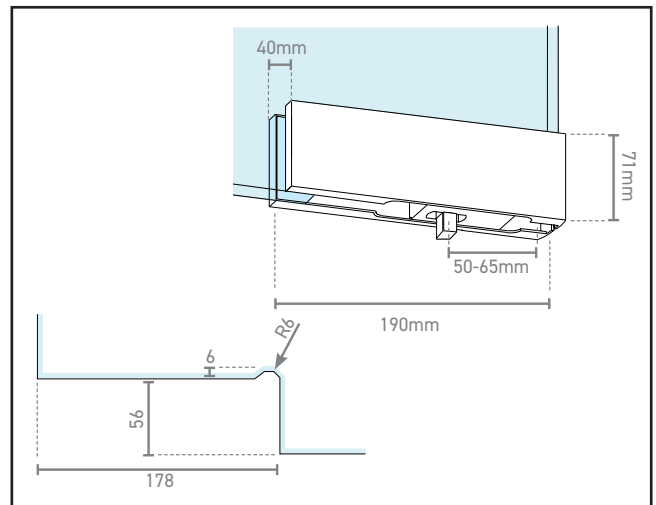
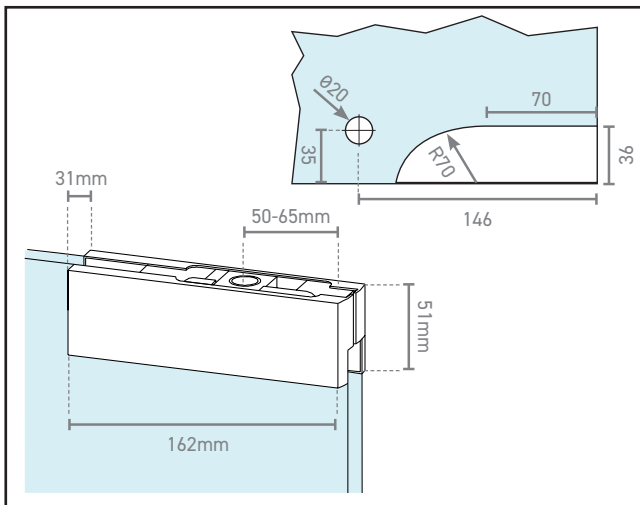


570.5049.39

P Spring Hydraulic Patch Fitting Kit - Top & Bottom - Hold Open

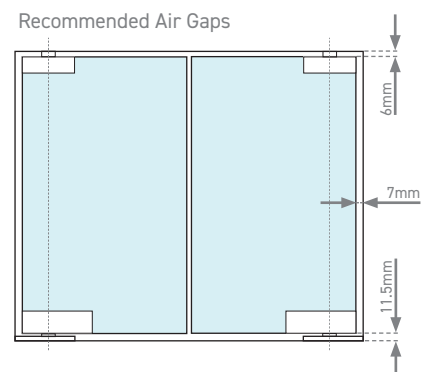


Product Specification

A reliable hydraulic bottom door patch fitting which comes with a matching top patch fitting and standard top pivot
Hold-open function included

Specification

Finish	Black
Handed	No
Glass Thickness	10-12mm
Max Door Height	2500mm (12mm Glass)
Max Door Width	1000mm
Max Door Weight	100kg
Hold Open	Yes
Adjustable Closing Speed	Yes
EN 1154	Yes
Sold as	Set



For more information please contact

01451 824110 | sales@wellinguk.com | www.wellinguk.com

Welling Ironmongery Ltd, Unit R1, Bourton Industrial Park, Bourton on the Water GL54 2HQ