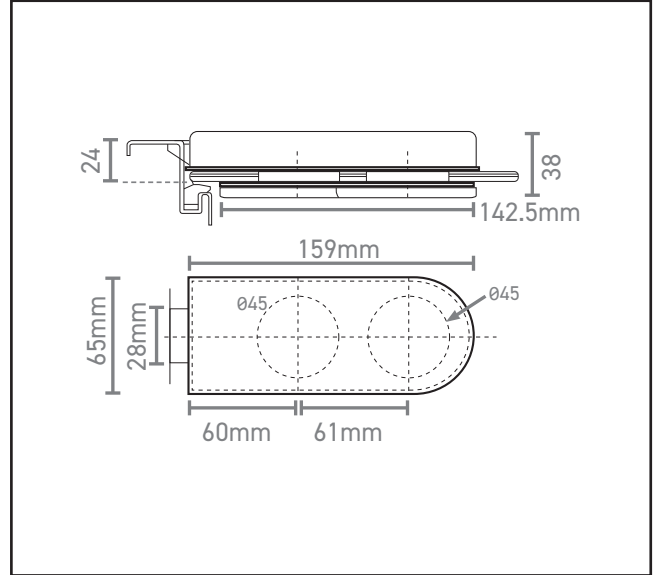


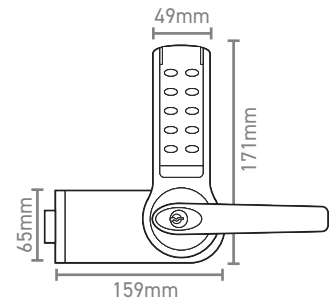
# 570.4000.01

Codelocks Digital Glass Door Lock/Lever Set - Left Hand



## Product Specification

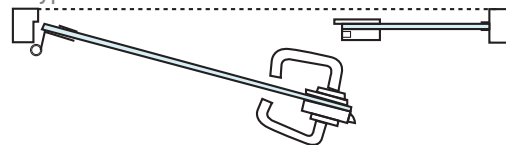
An electronic digital lock suitable for use on glass doors with frames or with side panels. This is suitable for in-swing doors only, and is handed as the below handing diagram. Side panel keep available separately - 570.0099.01. Key override as standard. Up to 140,000 operations from 4 x 'N' cells (supplied). User Codes 4, 5 or 6 digits long - Allows up to 10 one time User Codes. Tamper time out and low battery warning - Locked and unlocked LED indicator option.



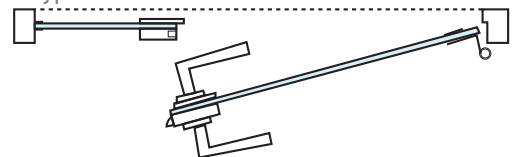
## Specification

Finish	Satin Stainless Steel
Brand	CODELOCKS
Handed	Yes - Left Handed
Glass Thickness	8-15mm
Sold as	Each

Right Hand Version  
Keypad Side



Left Hand Version  
Keypad Side



For more information please contact

01451 824110 | sales@wellinguk.com | www.wellinguk.com

Welling Ironmongery Ltd, Unit R1, Bourton Industrial Park, Bourton on the Water GL54 2HQ