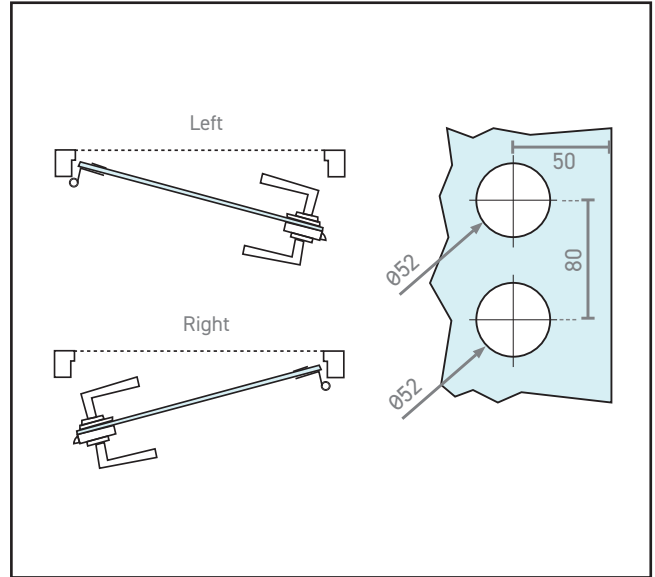
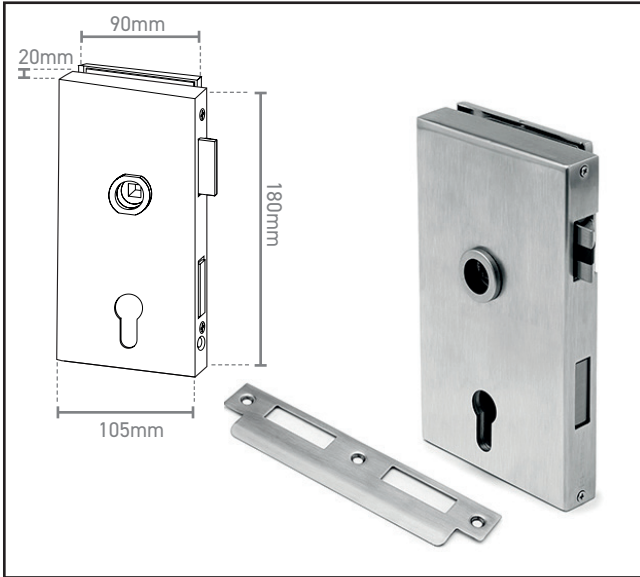


570.2930.01

Upright Patch Lock/Latch - Left Hand



Product Specification

A high quality patch lock/latch for glass doors, including a frame strike plate

Levers sold separately

Suits euro profile cylinder (not included)

Similar cutout requirements to the Dorma Junior Office Classic patch lever/locksets (check before purchasing or cutting your glass!)

Specification

Finish	Satin Stainless Steel
Handing	Left Hand
Glass Thickness	8-12mm
Levers Included	No - sold separately
Cylinder Included	No - sold separately

For more information please contact

01451 824110 | sales@wellinguk.com | www.wellinguk.com

Welling Ironmongery Ltd, Unit R1, Bourton Industrial Park, Bourton on the Water GL54 2HQ