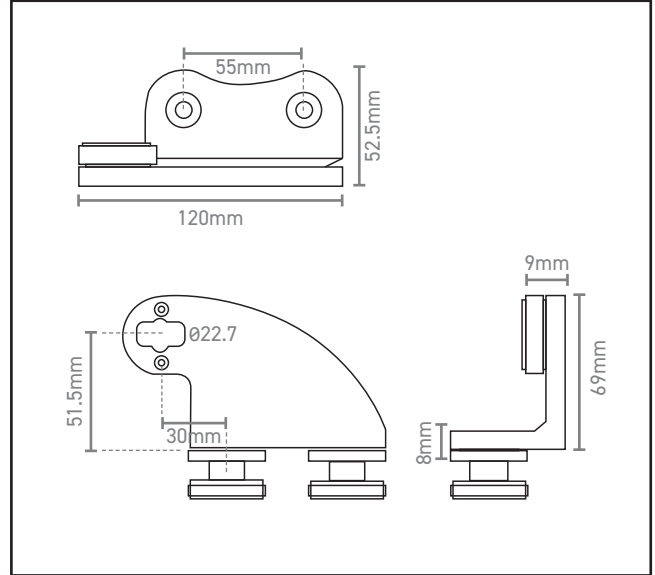
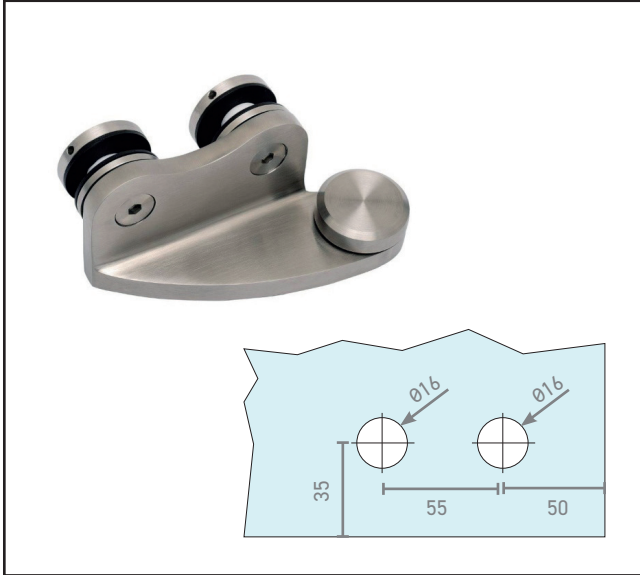


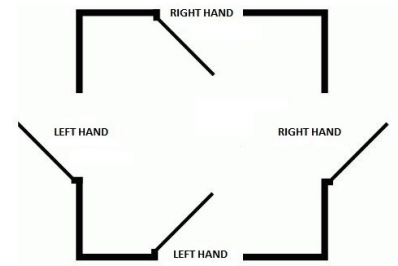
# 570.2101.01

Offset Bottom Patch Fitting - Right Hand - 51.5mm Projection



## Product Specification

Suitable for frameless glass doors in aluminium frames with a maximum depth of 44mm  
Handed as per diagram



## Specification

Finish	Satin Stainless Steel
Handing	Right Hand
Glass Thickness	10 - 12mm
Projection	51.5mm

For more information please contact

01451 824110 | sales@wellinguk.com | www.wellinguk.com

Welling Ironmongery Ltd, Unit R1, Bourton Industrial Park, Bourton on the Water GL54 2HQ