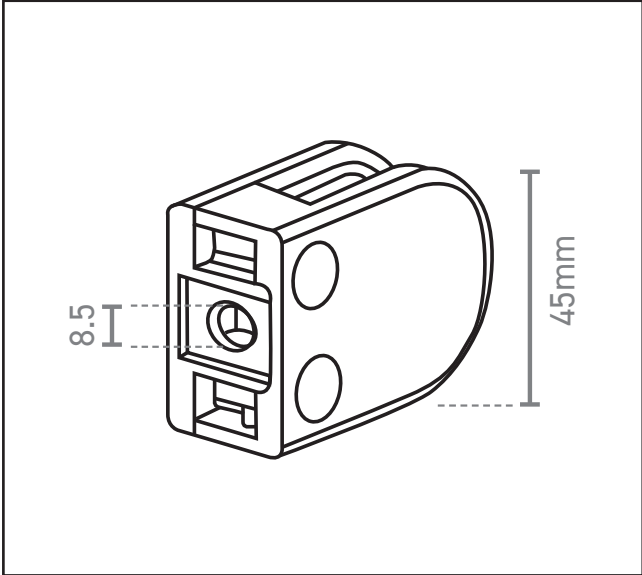


570.2026.01

Glass Clamp Flat Back



Product Specification

Satin stainless steel finish Zintec based product, recommended for internal use
Suitable for 10mm glass

Specification

Finish	Satin Stainless Steel
Glass Thickness	10mm