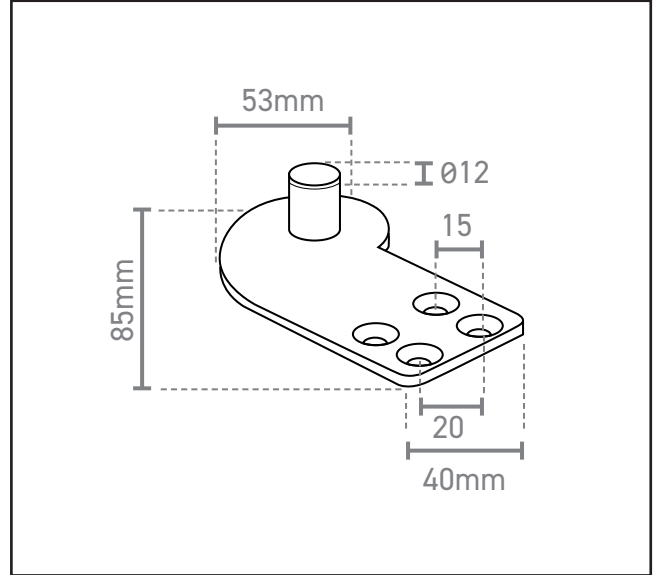


570.2007.01

Offset Top Frame Centre Pivot - Right Hand



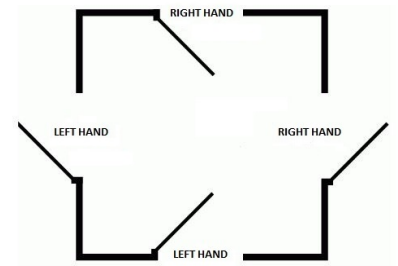
Product Specification

Suitable for glass-to-glass applications

Suitable for both 29 & 51.5mm Projection

Can be installed so that a glass door in a glass wall can swing 180degrees

Handed as per diagram



Specification

Finish	Satin Stainless Steel
Handing	Right Hand
Projection	29mm and 51.5mm

For more information please contact

01451 824110 | sales@wellinguk.com | www.wellinguk.com

Welling Ironmongery Ltd, Unit R1, Bourton Industrial Park, Bourton on the Water GL54 2HQ