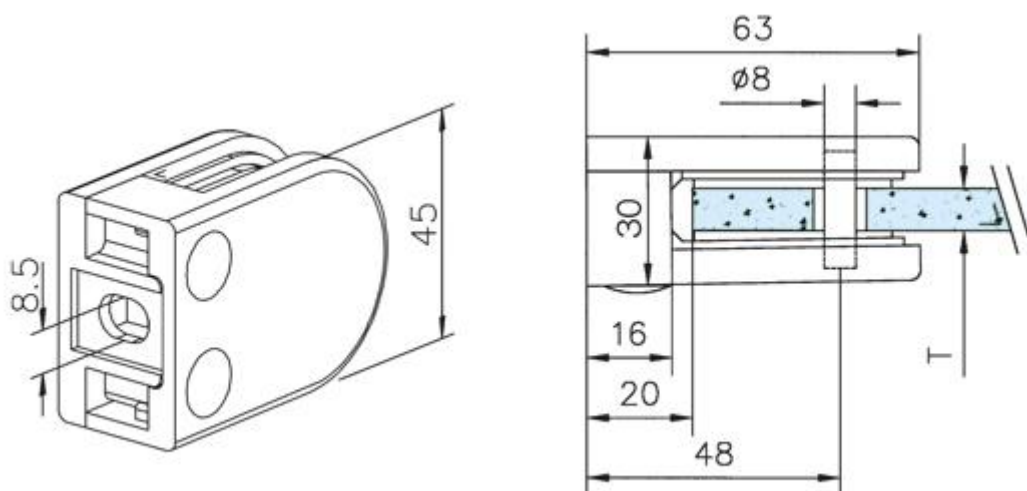


# PRODUCT DATASHEET

570.2006.01



Satin Stainless Steel glass clamp, flat back – 6mm glass. Recommended for internal use only

Finish	Satin stainless steel
Glass Thickness	6mm

**For more information please contact:**

Welling Ironmongery Ltd | Unit R1 | Bourton Industrial Park | Bourton on the Water | GL54 2HQ

Call: 01451 824110

Email: [sales@wellinguk.com](mailto:sales@wellinguk.com)

Web: [www.wellinguk.com](http://www.wellinguk.com)