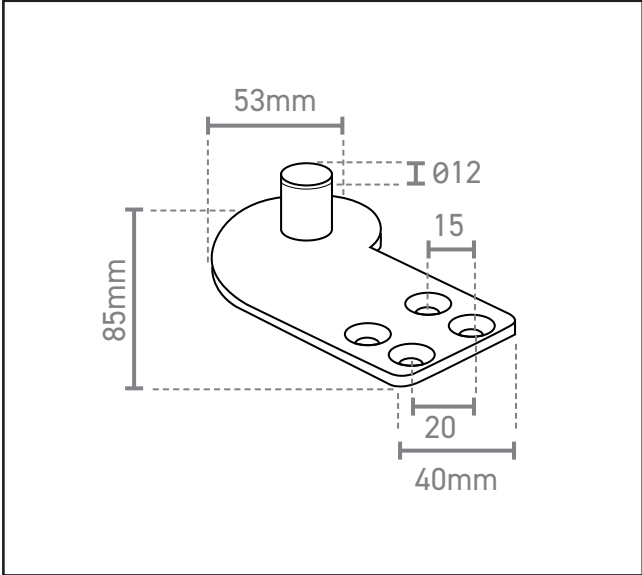


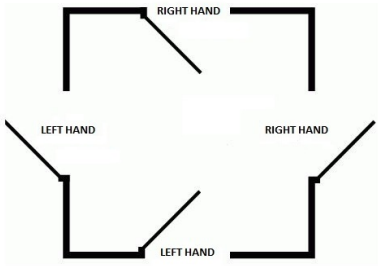
570.2005.01

Offset Top Frame Centre Pivot - Left Hand



Product Specification

- Suitable for glass-to-glass applications
- Suitable for both 29 & 51.5mm Projection
- Can be installed so that a glass door in a glass wall can swing 180degrees
- Handed as per diagram



Specification

Finish	Satin Stainless Steel
Handing	Left Hand
Projection	29mm and 51.5mm