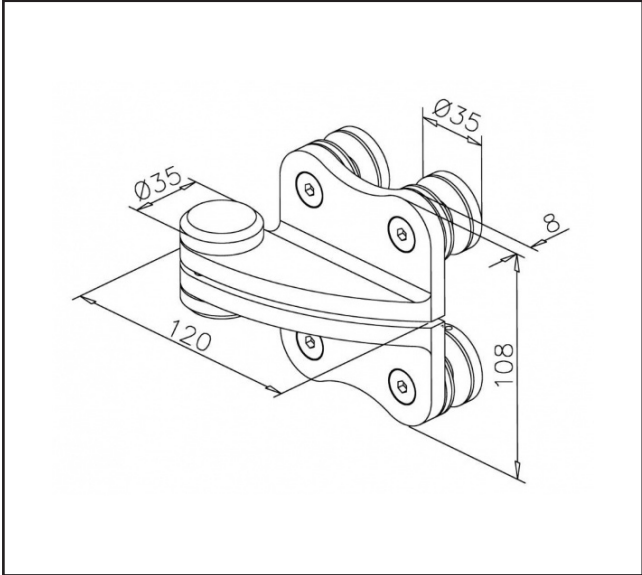
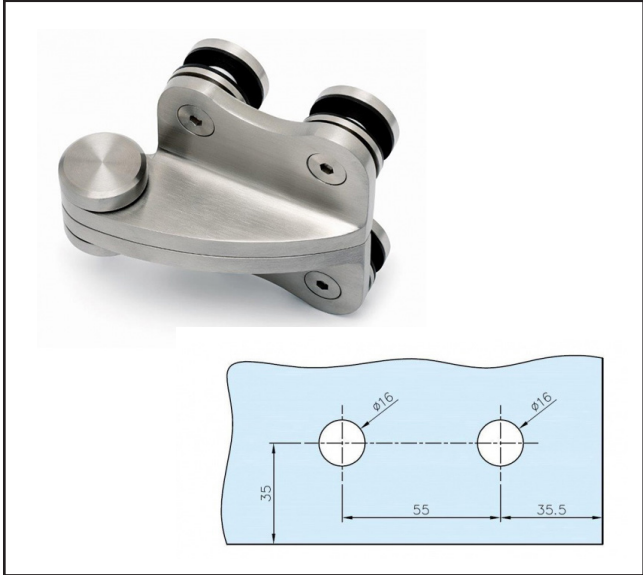


570.2004.01

Offset Overpanel Pivot/Patch Fitting - Non Handed - 29mm Projection

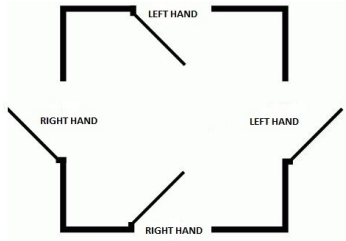


Product Specification

Suitable for glass-to-glass applications

Can be installed so that a glass door in a glass wall can swing 180degrees

Handed as per diagram



Specification

Finish	Satin Stainless Steel
Handing	Non Handed
Glass Thickness	10 - 12mm
Projection	29mm

For more information please contact

01451 824110 | sales@wellinguk.com | www.wellinguk.com

Welling Ironmongery Ltd, Unit R1, Bourton Industrial Park, Bourton on the Water GL54 2HQ