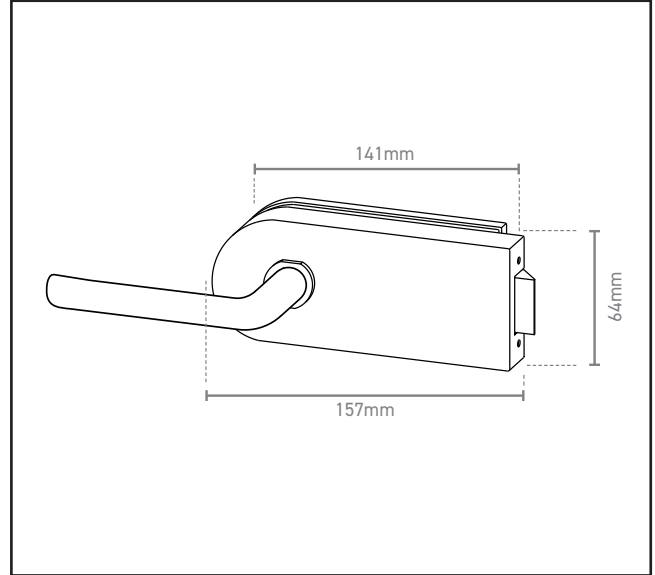
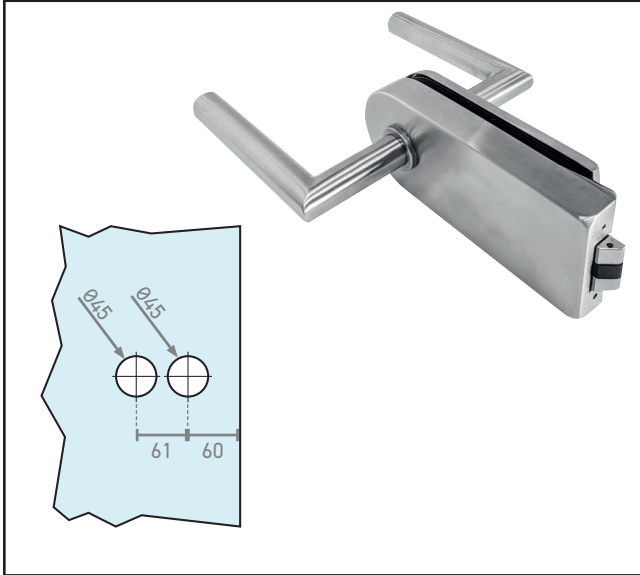


# 570.0096.01

Horizontal Patch Latch with Mitred Lever Handles



## Product Specification

Identical cutout requirements to the Studio Rondo lockset  
19mm MITRED lever handle set included to suit

## Specification

Finish	Satin Stainless Steel
Glass Thickness	10-12mm
Levers Included	Yes - Mitred
Cylinder Included	No

For more information please contact

01451 824110 | [sales@wellinguk.com](mailto:sales@wellinguk.com) | [www.wellinguk.com](http://www.wellinguk.com)

Welling Ironmongery Ltd, Unit R1, Bourton Industrial Park, Bourton on the Water GL54 2HQ