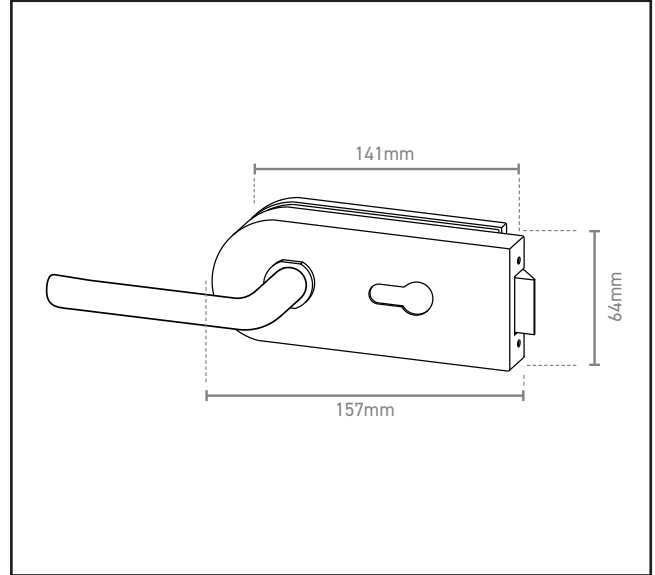
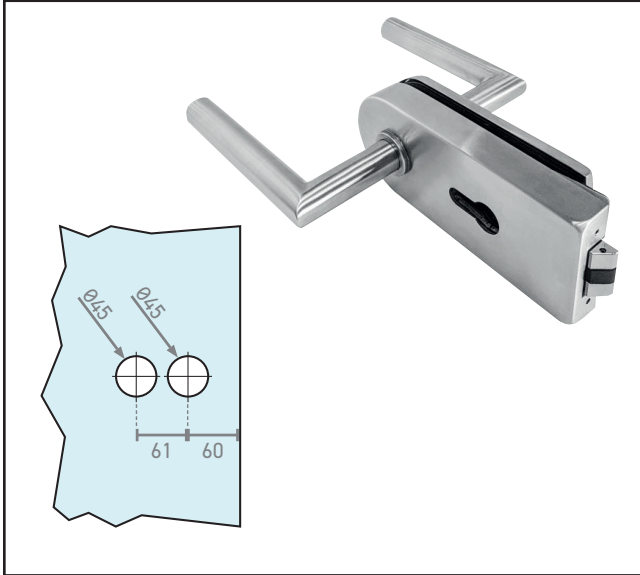


570.0093.01

Horizontal Patch Lock and Latch with Mitred Lever Handles



Product Specification

Identical cutout requirements to the Studio Rondo lockset

Use any of our standard euro cylinders with this lock, at 60mm length

19mm Mitred lever handle set included to suit

Specification

Finish	Satin Stainless Steel
Glass Thickness	10-12mm
Levers Included	Yes - Mitred
Cylinder Included	No

For more information please contact

01451 824110 | sales@wellinguk.com | www.wellinguk.com

Welling Ironmongery Ltd, Unit R1, Bourton Industrial Park, Bourton on the Water GL54 2HQ