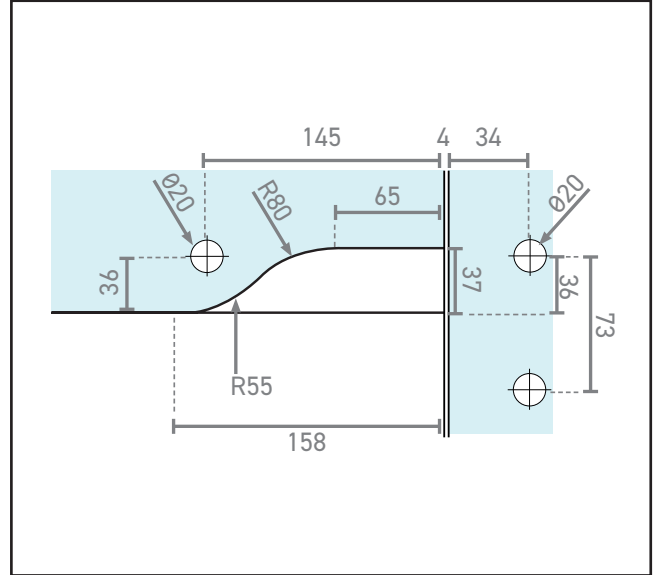
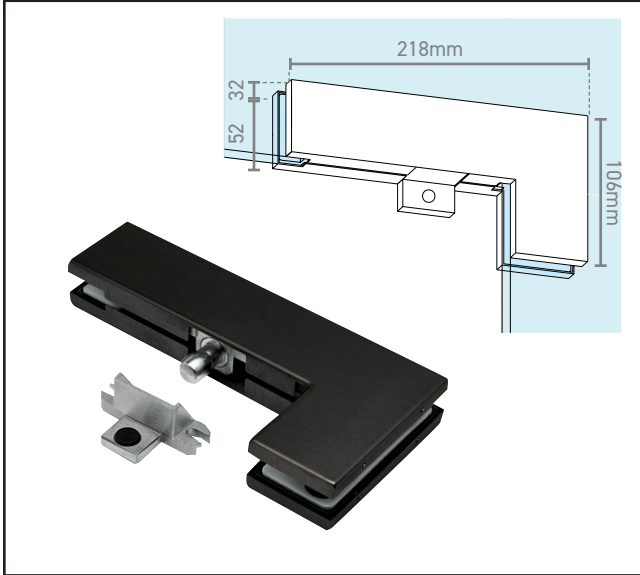


# 570.0014.39

Corner Patch Fitting with Stop Insert



## Product Specification

PT40 type patch fitting

## Specification

Finish	RAL9005 Black
Glass Thickness	10-12mm
Stop Included	Yes

For more information please contact

01451 824110 | sales@wellinguk.com | www.wellinguk.com

Welling Ironmongery Ltd, Unit R1, Bourton Industrial Park, Bourton on the Water GL54 2HQ