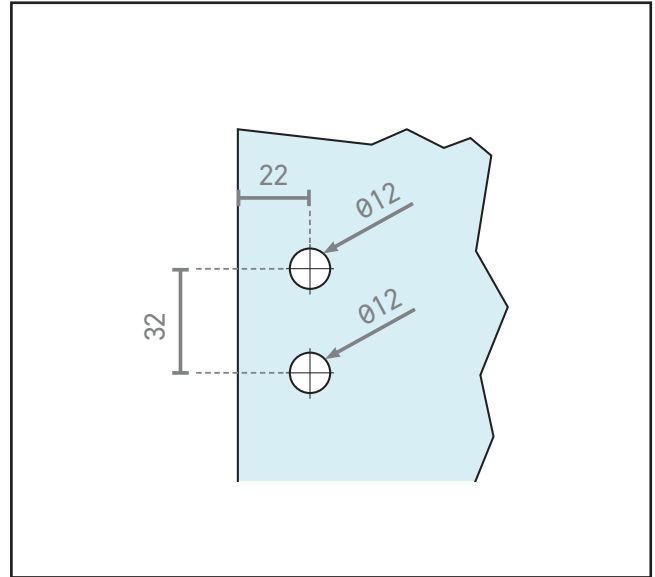
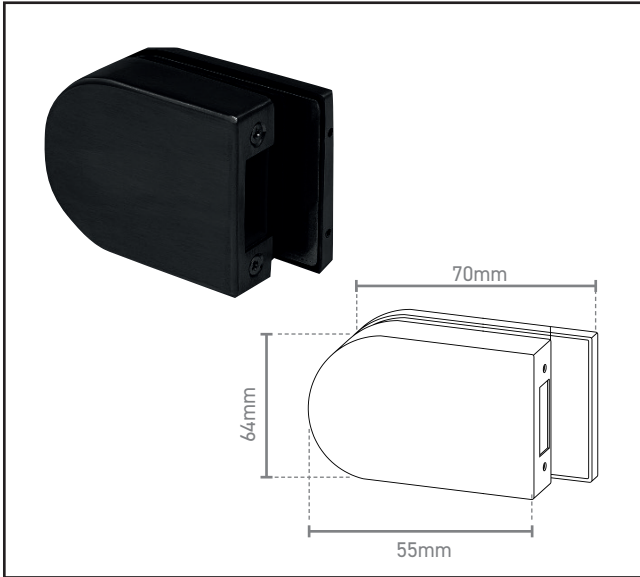


570.0009.39

Small Glass-to-Glass Strike Box



Product Specification

A small strike box to suit our 570.0003.01 & 570.0006.01 patch locks/latches

For Glass-to-Glass applications

Suitable for narrow glass side panels

Specification

| | |
|-----------------|---------------|
| Finish | RAL9005 Black |
| Glass Thickness | 10-12mm |
| | |
| | |
| | |
| | |

For more information please contact

01451 824110 | sales@wellinguk.com | www.wellinguk.com

Welling Ironmongery Ltd, Unit R1, Bourton Industrial Park, Bourton on the Water GL54 2HQ