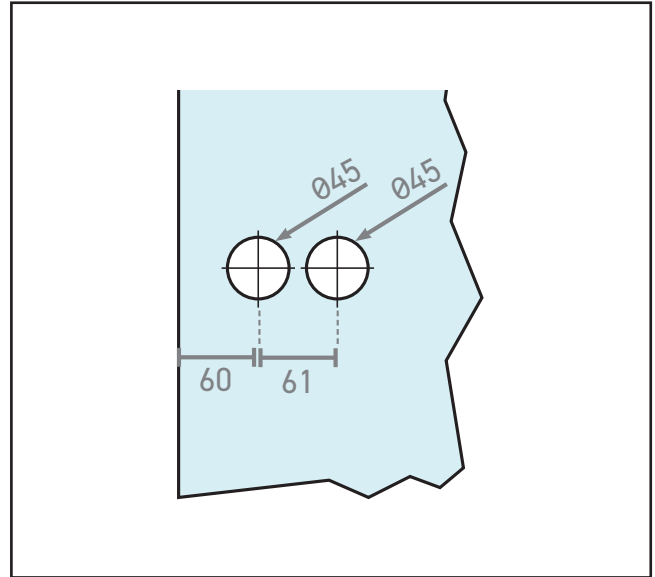
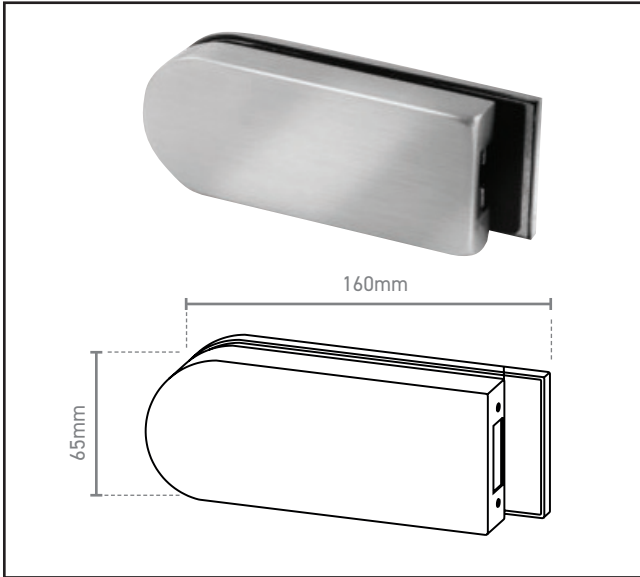


570.0009.01

Strike Box - Horizontal Lock/Latch



Product Specification

Suits our 570.0003.01 & 570.0006.01 patch locks/latches

For Glass-to-Glass applications

Specification

Finish	Satin Stainless Steel
Glass Thickness	10-12mm

For more information please contact

01451 824110 | sales@wellinguk.com | www.wellinguk.com

Welling Ironmongery Ltd, Unit R1, Bourton Industrial Park, Bourton on the Water GL54 2HQ