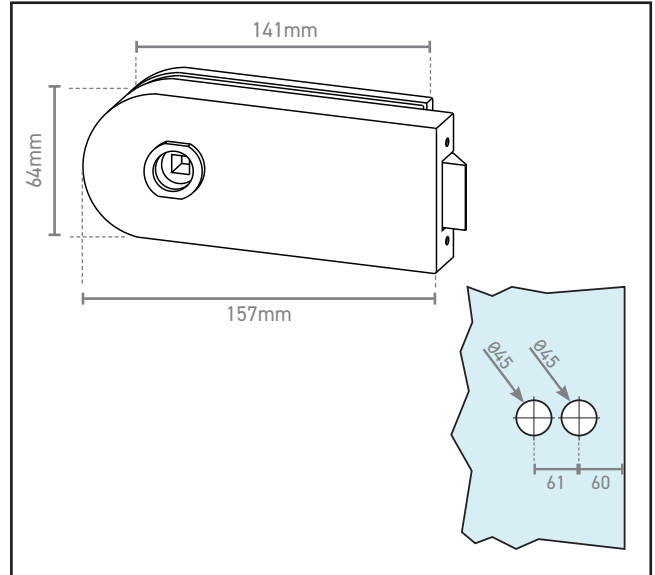


570.0006.39

Horizontal Patch Lever Latch - Latch Only - Black RAL9005



Product Specification

Identical cutout requirements to the Studio Rondo lockset
Lever handles available but sold separately

Specification

Finish	RAL9005 Black
Glass Thickness	10-12mm
Levers Included	No
Tested	EN12209
Cylce Tested	200,000 cycles

For more information please contact

01451 824110 | sales@wellinguk.com | www.wellinguk.com

Welling Ironmongery Ltd, Unit R1, Bourton Industrial Park, Bourton on the Water GL54 2HQ