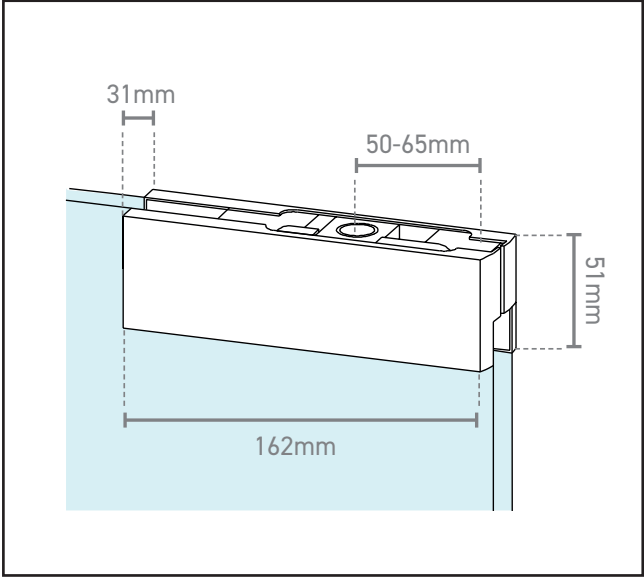
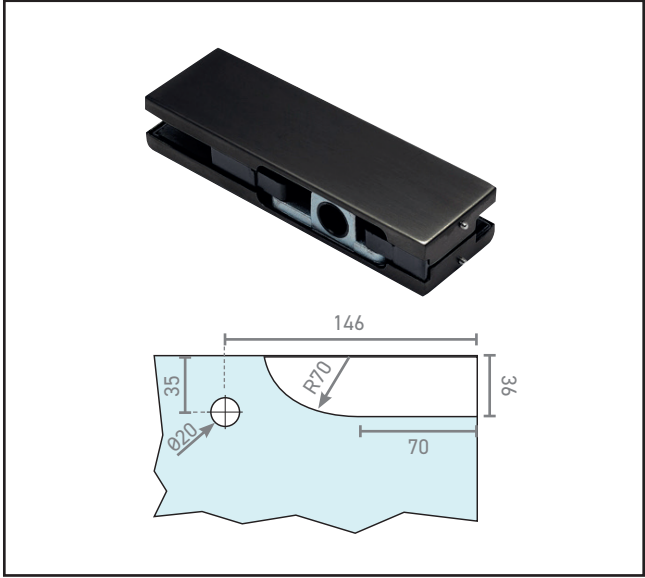


570.0004.39

Horizontal Patch Lever Fitting - Top - Black RAL9005



Making Ironmongery Easy



Product Specification

Horizontal Patch Lever Fitting

Top Patch Fitting

Specification

Finish	RAL9005 Black
Glass Thickness	10-12mm

For more information please contact

01451 824110 | sales@wellinguk.com | www.wellinguk.com

Welling Ironmongery Ltd, Unit R1, Bourton Industrial Park, Bourton on the Water GL54 2HQ