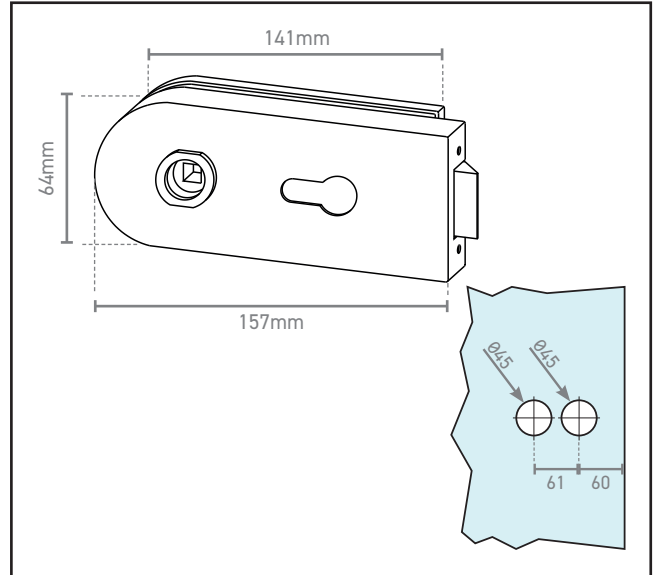


570.0003.39

Horizontal Patch Lever Latch - Euro Profile - RAL9005 Black (No Levers)



Product Specification

Identical cutout requirements to the Studio Rondo lockset

Use any of our standard euro cylinders with this lock, at 60mm length

Lever handles available but sold separately

Specification

Finish	Black RAL9005
Glass Thickness	8-12mm
Levers Included	No - see code 570.7740.39
Cylinder Included	No
Tested	EN12209
Cylce Tested	200,000 cycles
Cylinder Locking Tested	50,000 clycles

For more information please contact

01451 824110 | sales@wellinguk.com | www.wellinguk.com

Welling Ironmongery Ltd, Unit R1, Bourton Industrial Park, Bourton on the Water GL54 2HQ