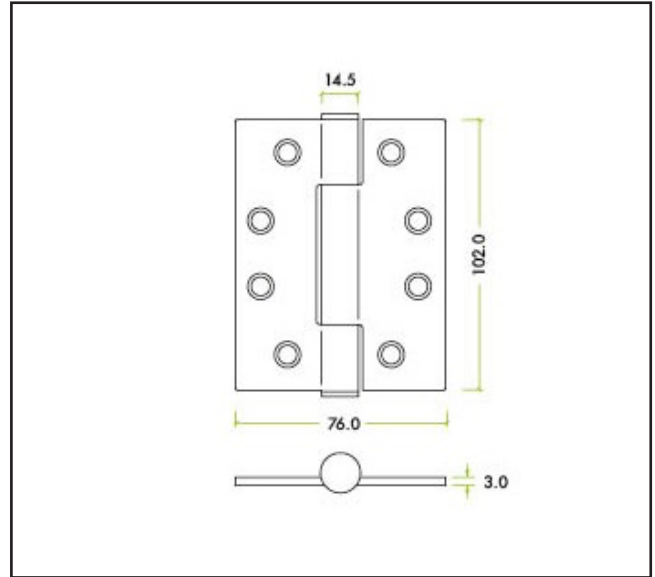


550.2900.01

290 Concealed Bearing Hinge - Grade 14 - Fire Rated



Product Specification

Concealed Bearing Hinge
Grade 14
Fire Rated

BS EN 1935
BS EN 1634
Pair

Specification

Finish	Satin Stainless Steel
Grade	Grade 14
Size	102 x 76 x 3mm
Max Door Weight	160kg Adjusted Weight (3 hinges)
Fire Rated	FD30 & FD60
CE Marked	Yes
Pack	QTY x 2
	A durable, heavy duty butt hinge, with concealed bearings Suitable for high use applications, ideal for schools, hospitals and heavy-use commercial projects

For more information please contact

01451 824110 | sales@wellinguk.com | www.wellinguk.com

Welling Ironmongery Ltd, Unit R1, Bourton Industrial Park, Bourton on the Water GL54 2HQ