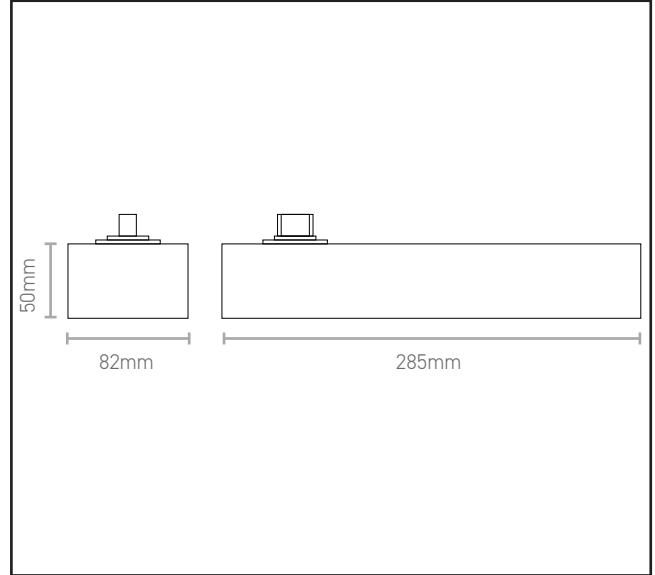


530.2175.01

Dorma BTS75 Floorspring with Floor Box EN1-4 Non Hold Open (no Spindle)



Product Specification

Dorma's popular floorspring, hold open version.
For the standard spindle please use the following code - 530.1075.16

Cover and suspended floor box sold separately

Specification

Brand	DORMA
Max Door Width	1100mm
Max Door Weight	110kg
Spindle Included	No
Cover Included	No
Backcheck	Mechanical
Hold Open	No
Fire Rated	FD30, FD60

For more information please contact

01451 824110 | sales@wellinguk.com | www.wellinguk.com

Welling Ironmongery Ltd, Unit R1, Bourton Industrial Park, Bourton on the Water GL54 2HQ