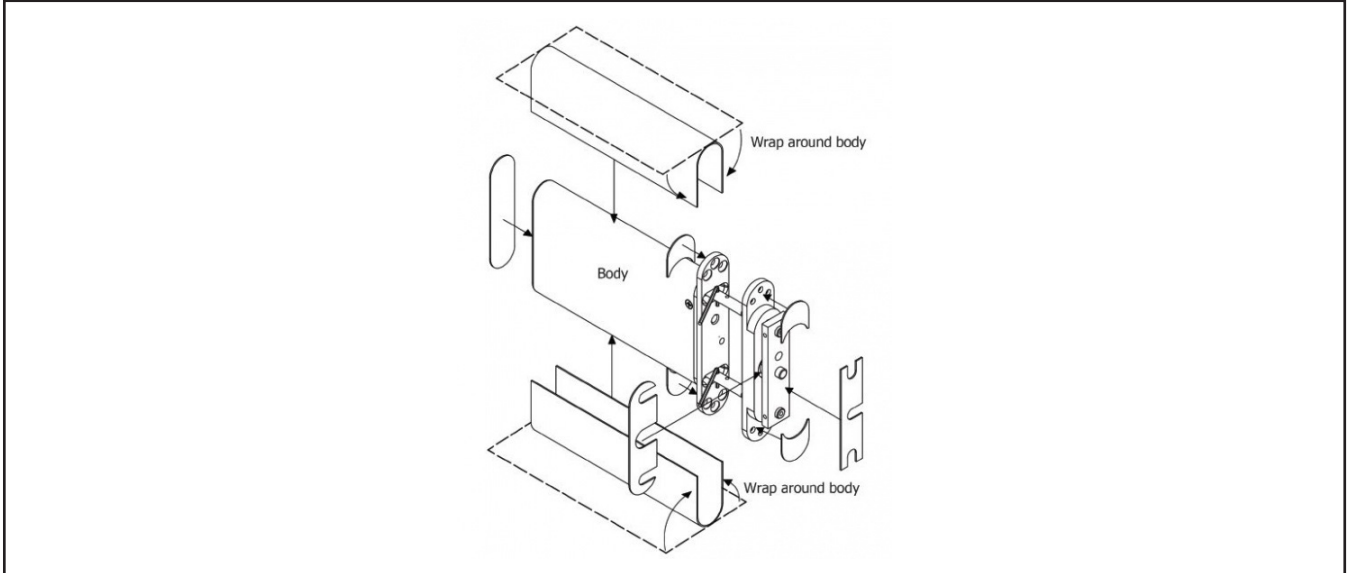


# 520.0002.27

Intumescent Wrap for R100 Powermatic Jamb Door Closer



## Product Specification

Intumescent kit to suit the Powermatic R100 jamb door closer, to ensure compliance with CE/Certification (as tested)

## Specification

|             |  |
|-------------|--|
| CE Marked   | Yes  |
| Fire Rating | FD30/60  |
|             |  |
|             |  |
|             |  |
|             | Intumescent kit to suit the Powermatic R100 jamb door closer, to ensure compliance with CE/Certification (as tested) |