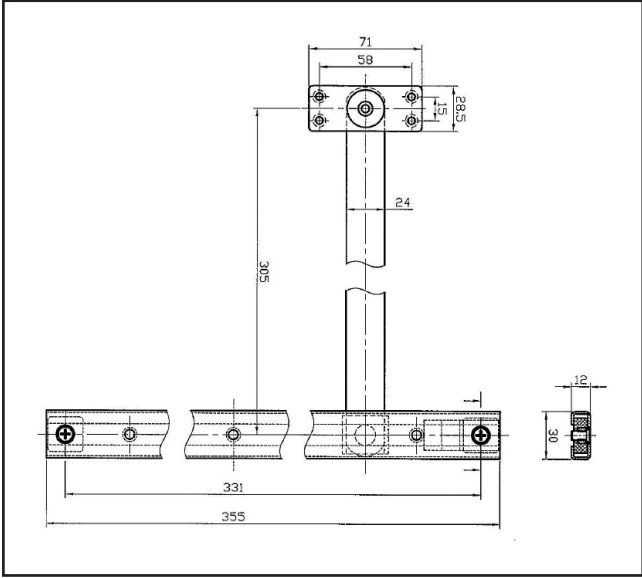


# 510.0590.01

Mortice Overhead Door Restrictor



Making Ironmongery Easy



## Product Specification

Morticed into the head of the door, to limit the opening angle

Ideal for use in windy locations

Tested for use on FD60 fire doors

## Specification

|             |                       |
|-------------|-----------------------|
| Finish      | Satin Stainless Steel |
| Fire Rated  | FD60                  |
| Fire Tested | BS EN 1634-1:2000     |
|             |                       |
|             |                       |
|             |                       |
|             |                       |
|             |                       |
|             |                       |
|             |                       |
|             |                       |

For more information please contact

01451 824110 | sales@wellinguk.com | www.wellinguk.com

Welling Ironmongery Ltd, Unit R1, Bourton Industrial Park, Bourton on the Water GL54 2HQ