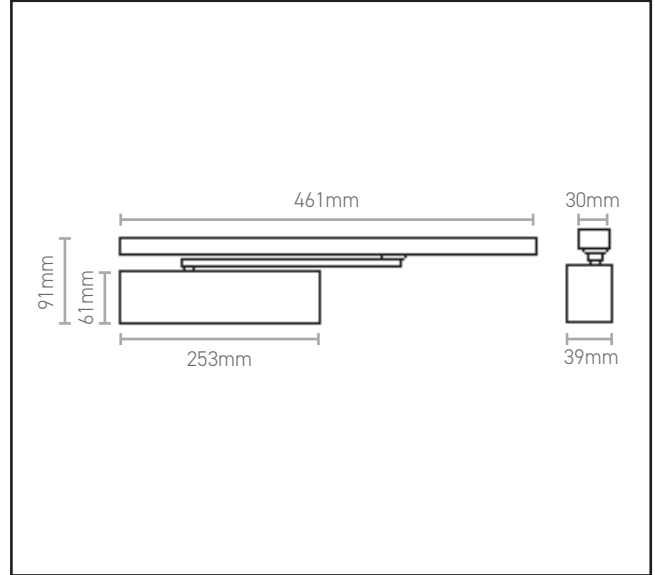


# 500.7602.11

7602 EN2-4 CAM Overhead Door Closer with Slide Arm



## Product Specification

CAM Action door closers are known for high efficiency and easy opening. Includes matching cover and slide track armset

Slimline unit, with attractive radius cover  
Suitable for commercial applications such as schools, hospitals, offices, public buildings etc

## Specification

Manufacturer	Rutland
Finish	Satin Anodised Aluminium
Power Size	EN 2-4
Max Door Width	1100mm
Max Door Weight	80kg
Mechanism	CAM Action
Backcheck	No
Opening Angle	120 degrees
Adjustable Latching Action	Yes
Adjustable Closing Speed	Yes
BS 8300 (DDA) compliant	Yes
Fire Rated	FD30, FD60
Performance Tested	BS EN 1154
	Our 7602 surface mounted CAM Action closer is reliable and meets the required opening forces for DDA (when fitted within a compliant DDA doorset)

Is suitable and tested for fig1 and fig66 application, and comes with necessary instructions for this.

For more information please contact

01451 824110 | sales@wellinguk.com | www.wellinguk.com

Welling Ironmongery Ltd, Unit R1, Bourton Industrial Park, Bourton on the Water GL54 2HQ