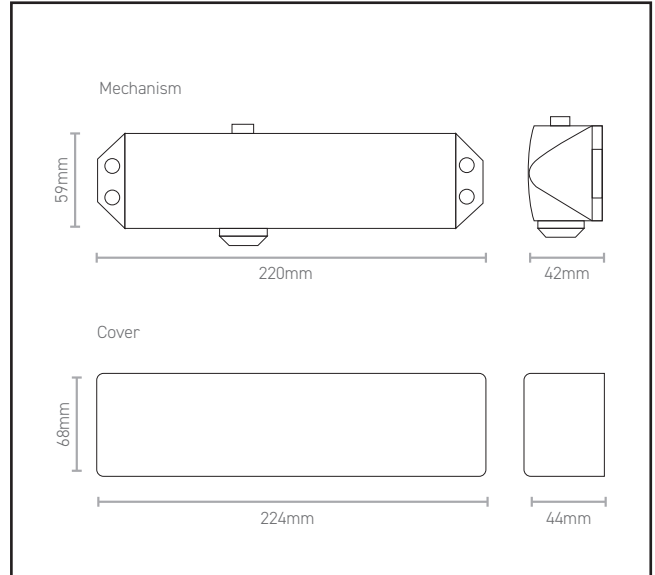


500.1095.06

1095 EN3-4 Overhead Door Closer



Product Specification

Slim 'softline' cover and matching armset
Figure 66' bracket included for parallel arm fitting
All fixings included for installation

Suitable for 30minute and 60minute fire doors
Full fitting instructions included with each unit

Specification

Brand	RUTLAND
Finish	Satin Nickel
Power Size	EN3-4
Max Door Width	1100mm
Max Door Weight	60kg
Mechanism	Rack and Pinion
Adjustable Latching Action	Yes
Adjustable Closing Speed	Yes
Opening Angle	180 degrees
Fire Rated	FD30/FD60
Fire Tested	BS EN 1634
Performance Tested	BS EN 1154
	Our most popular medium-duty door closer, suitable for general commercial applications, apartment entrance doors, office interiors, factory partitioning etc

For more information please contact

01451 824110 | sales@wellinguk.com | www.wellinguk.com

Welling Ironmongery Ltd, Unit R1, Bourton Industrial Park, Bourton on the Water GL54 2HQ