

# 400.7058.03

Bathroom Turn & Release/Indicator



## Product Specification

BS 8300 DDA Compliant

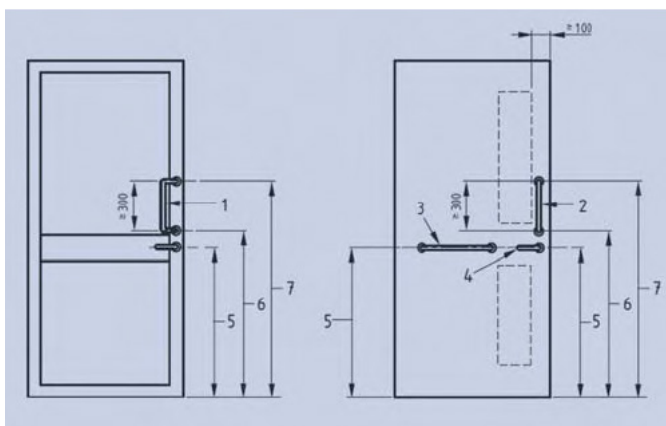
Push on type rose

Without indicator on external side

Heavy version, suitable for medium-heavy use

## Specification

Finish	Polished Brass
Rose Size	52 x 8mm
Spindle	5mm
Indicator	Yes
DDA	BS8300
Sold as	Set
Fitting Height	800-1050mm, with preferred height being 900mm for lever furniture



For more information please contact

01451 824110 | sales@wellinguk.com | www.wellinguk.com

Welling Ironmongery Ltd, Unit R1, Bourton Industrial Park, Bourton on the Water GL54 2HQ