

400.7056.39

Bathroom Turn & Release/Indicator

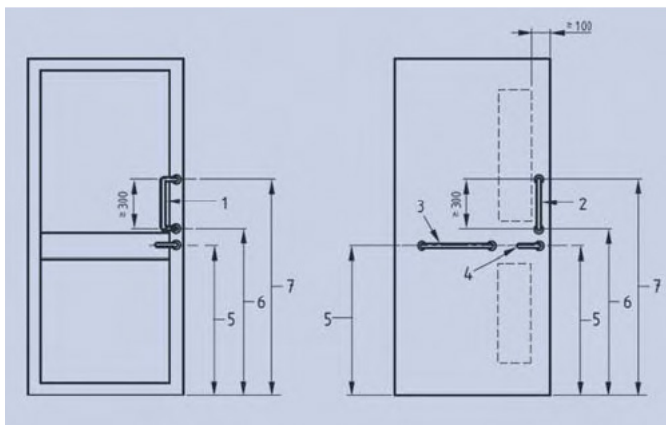


Product Specification

Bathroom Turn & Release/Indicator

Specification

Finish	RAL9005 Black
Rose Size	52 x 6mm
Spindle	5mm
Indicator	Optional
Sold as	Set
Fitting Height	800-1050mm, with preferred height being 900mm for lever furniture



For more information please contact

01451 824110 | sales@wellinguk.com | www.wellinguk.com

Welling Ironmongery Ltd, Unit R1, Bourton Industrial Park, Bourton on the Water GL54 2HQ