

# 400.7056.02

Bathroom Turn & Release/Indicator



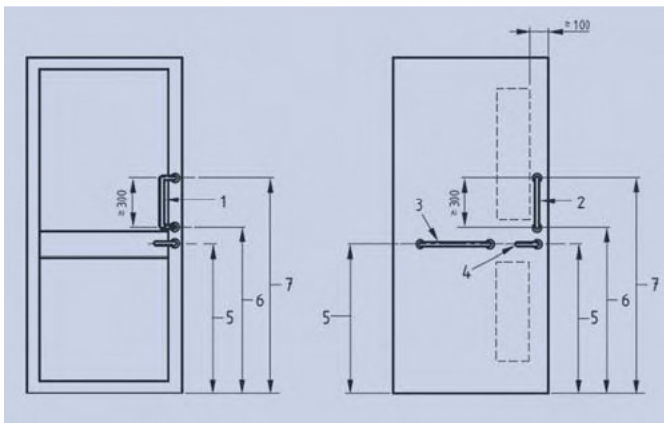
## Product Specification

BS 8300 DDA Compliant  
Push on type rose

Includes indicator on external side  
Contract version, suitable for medium-use

## Specification

Finish	Polished Stainless Steel
Rose Size	52 x 6mm
Spindle	5mm
Indicator	Optional
DDA	BS8300
Sold as	Set
Fitting Height	800-1050mm, with preferred height being 900mm for lever furniture



For more information please contact

01451 824110 | [sales@wellinguk.com](mailto:sales@wellinguk.com) | [www.wellinguk.com](http://www.wellinguk.com)

Welling Ironmongery Ltd, Unit R1, Bourton Industrial Park, Bourton on the Water GL54 2HQ