

400.5705.01

DDA Peanut WC Turn & release - Indicator

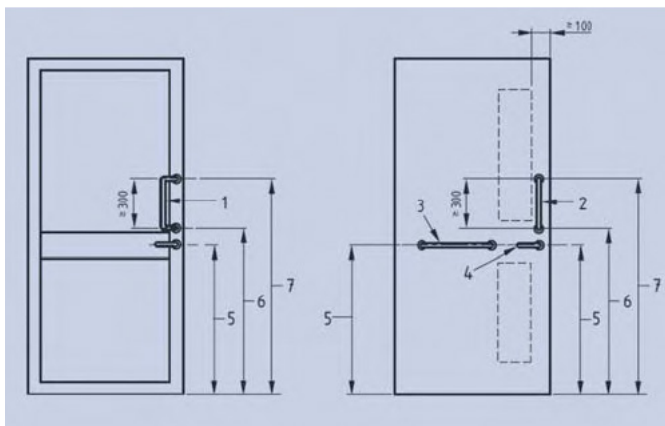


Product Specification

Includes indicator on external side

Specification

Finish	Satin Stainless Steel
Rose Size	52 x 5mm
Spindle	5mm
Indicator	Yes
Sold as	Set
Fitting Height	800-1050mm, with preferred height being 900mm for lever furniture



For more information please contact

01451 824110 | sales@wellinguk.com | www.wellinguk.com

Welling Ironmongery Ltd, Unit R1, Bourton Industrial Park, Bourton on the Water GL54 2HQ