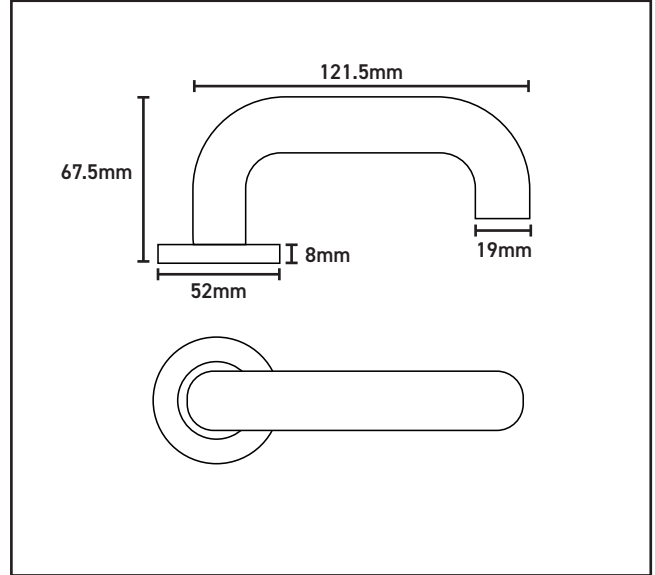


370.7740.01

DECO Lever Handle Set on Rose



Product Specification

DECO Lever Handle Set
Sprung Rose

DDA BS8300
Pair

Specification

Finish	Satin Stainless Steel
Rose Size	52 x 8mm
Lever Dia	19mm
Rose Type	Push on Rose
Rose	Sprung
Spindle	Split Spindle
Fixings	Bolt Through
BS 8300 Compliant	DDA BS8300

For more information please contact

01451 824110 | sales@wellinguk.com | www.wellinguk.com

Welling Ironmongery Ltd, Unit R1, Bourton Industrial Park, Bourton on the Water GL54 2HQ