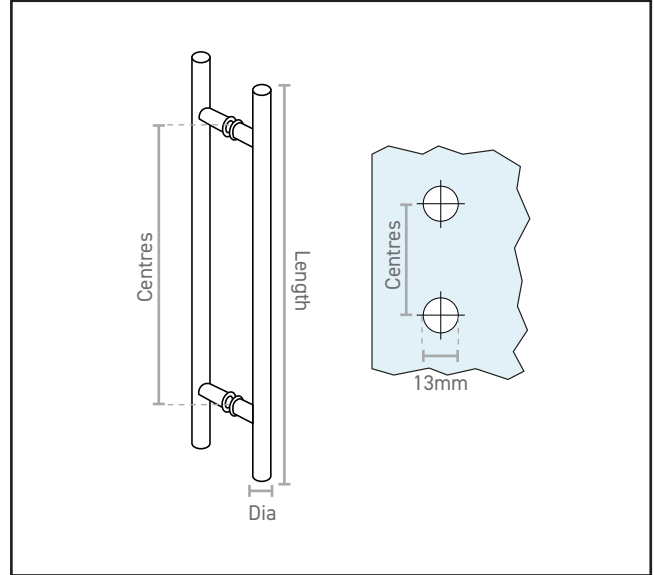


120.4000.01

Guardsman Pull Handle - Back to Back - Pair



Product Specification

Guardsman Style
Back-to-Back
Pair

Suitable for glass or timber doors
Flanges included

Specification

Finish	Satin Stainless Steel
Overall Length	400mm
Fixing Centres	300mm
Handle Diameter	19mm
Fixing Hole Size	13mm Diameter

For more information please contact

01451 824110 | sales@wellinguk.com | www.wellinguk.com

Welling Ironmongery Ltd, Unit R1, Bourton Industrial Park, Bourton on the Water GL54 2HQ