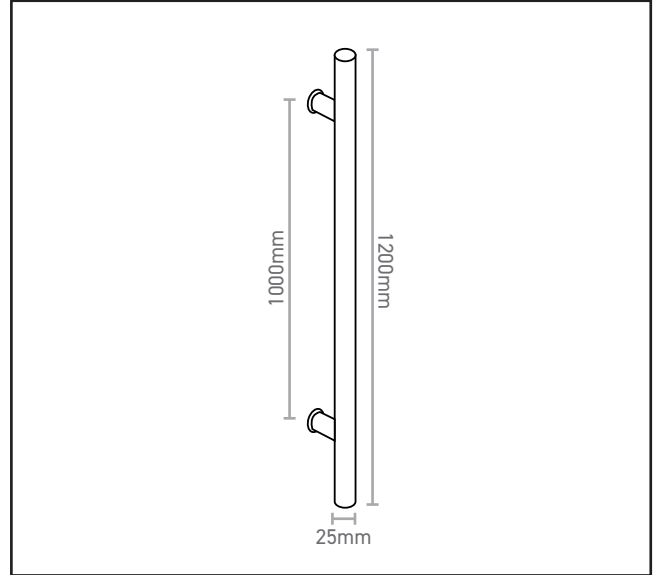


110.1201.39

Guardsman Pull Handle - Bolt-through Single



Product Specification

Guardsman Style
Bolt-through
Single Handle

Specification

Finish	Black
Overall Length	1200mm
Fixing Centres	1000mm
Handle Diameter	25mm

For more information please contact

01451 824110 | sales@wellinguk.com | www.wellinguk.com

Welling Ironmongery Ltd, Unit R1, Bourton Industrial Park, Bourton on the Water GL54 2HQ